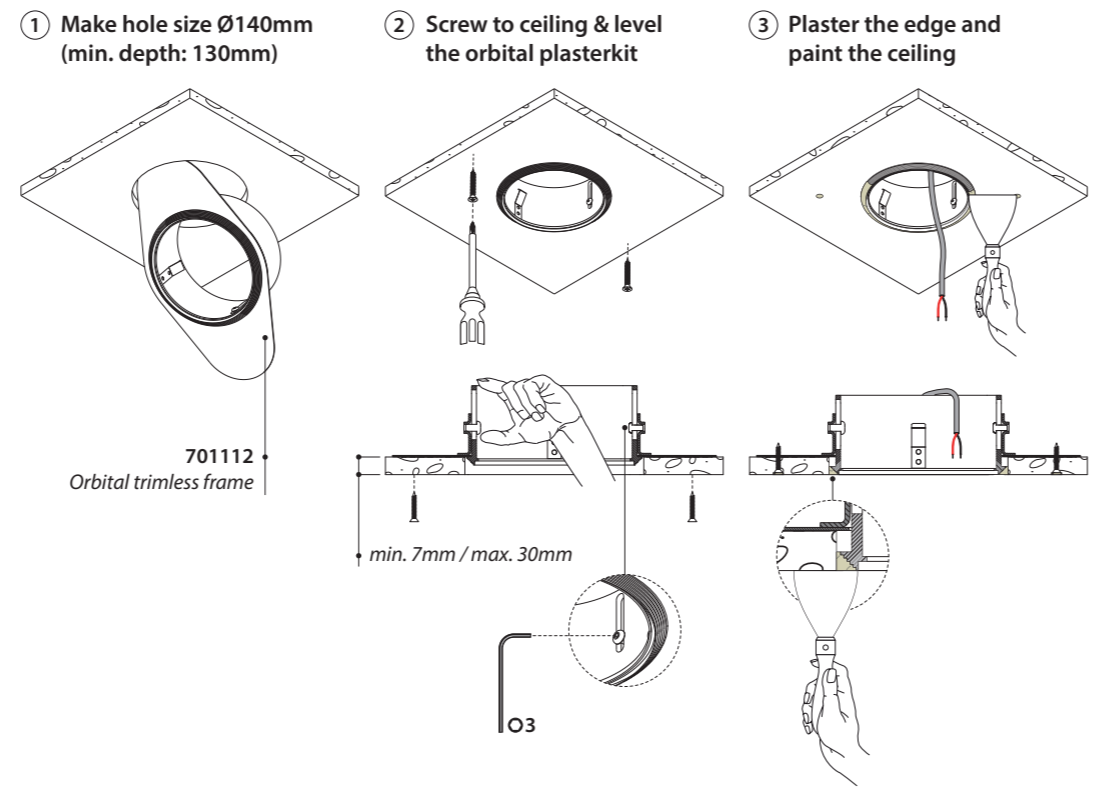


FITXURE																																			
NAME	ORBITAL TRIMLESS "SMOKE"																																		
REFERENCE	650446 TEXT. BLACK 2700K 650447 TEXT. WHITE 2700K 650466 TEXT. BLACK 3000K* 650467 TEXT. WHITE 3000K* 650486 TEXT. BLACK HALOSPHERE** 650487 TEXT. WHITE HALOSPHERE**																																		
SPECIFICATIONS	<table border="1"> <tr> <td>Safe distance to object</td> <td> - 0,1m - </td> </tr> <tr> <td>Lamptype</td> <td>Annular LED array</td> </tr> <tr> <td>CCT</td> <td>2700K/3000K*/3000K>1800K**</td> </tr> <tr> <td>Luminous flux</td> <td>1460lm/1486lm*/1230lm**</td> </tr> <tr> <td>Power</td> <td>12,3W/12,7W**</td> </tr> <tr> <td>Current</td> <td>350mA</td> </tr> <tr> <td>Forward voltage</td> <td>35,1V/36V**</td> </tr> <tr> <td>Symbol</td> <td></td> </tr> <tr> <td>Gear</td> <td>Converter not incorporated</td> </tr> <tr> <td>IP / Class</td> <td> IP20</td> </tr> <tr> <td>Application</td> <td> Interior - Ceiling Mounted</td> </tr> <tr> <td>Orientability</td> <td>None</td> </tr> <tr> <td>Dimmability</td> <td>CCR, PWM dimmable/CCR dimmable**</td> </tr> <tr> <td>Beamangle</td> <td>120°</td> </tr> <tr> <td>CRI</td> <td>92/87**</td> </tr> <tr> <td>SDCM</td> <td>3</td> </tr> <tr> <td>Weight</td> <td> (0,4)</td> </tr> </table>	Safe distance to object	- 0,1m -	Lamptype	Annular LED array	CCT	2700K/3000K*/3000K>1800K**	Luminous flux	1460lm/1486lm*/1230lm**	Power	12,3W/12,7W**	Current	350mA	Forward voltage	35,1V/36V**	Symbol		Gear	Converter not incorporated	IP / Class	IP20	Application	Interior - Ceiling Mounted	Orientability	None	Dimmability	CCR, PWM dimmable/CCR dimmable**	Beamangle	120°	CRI	92/87**	SDCM	3	Weight	(0,4)
Safe distance to object	- 0,1m -																																		
Lamptype	Annular LED array																																		
CCT	2700K/3000K*/3000K>1800K**																																		
Luminous flux	1460lm/1486lm*/1230lm**																																		
Power	12,3W/12,7W**																																		
Current	350mA																																		
Forward voltage	35,1V/36V**																																		
Symbol																																			
Gear	Converter not incorporated																																		
IP / Class	IP20																																		
Application	Interior - Ceiling Mounted																																		
Orientability	None																																		
Dimmability	CCR, PWM dimmable/CCR dimmable**																																		
Beamangle	120°																																		
CRI	92/87**																																		
SDCM	3																																		
Weight	(0,4)																																		

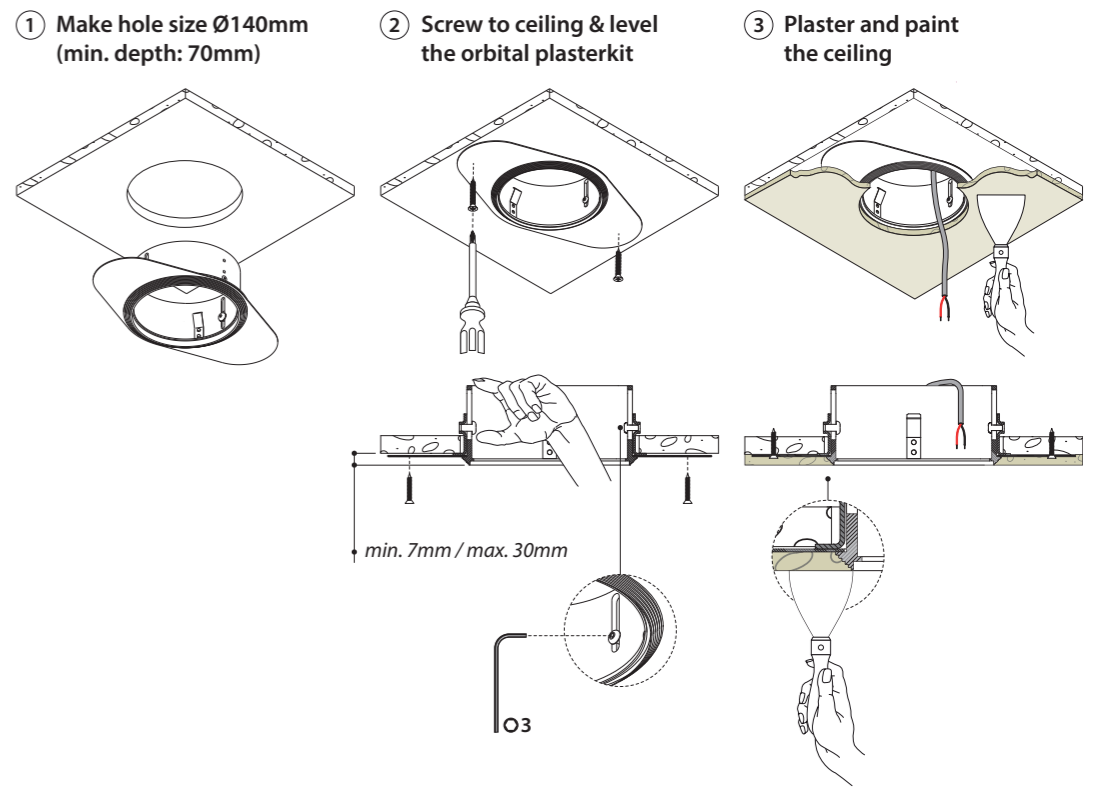
ACCESSORY (required for installation)	
NAME	ORBITAL TRIMLESS FRAME
REFERENCE	701112
Installation depth / cut out	130mm Ø140mm

INSTALLATION

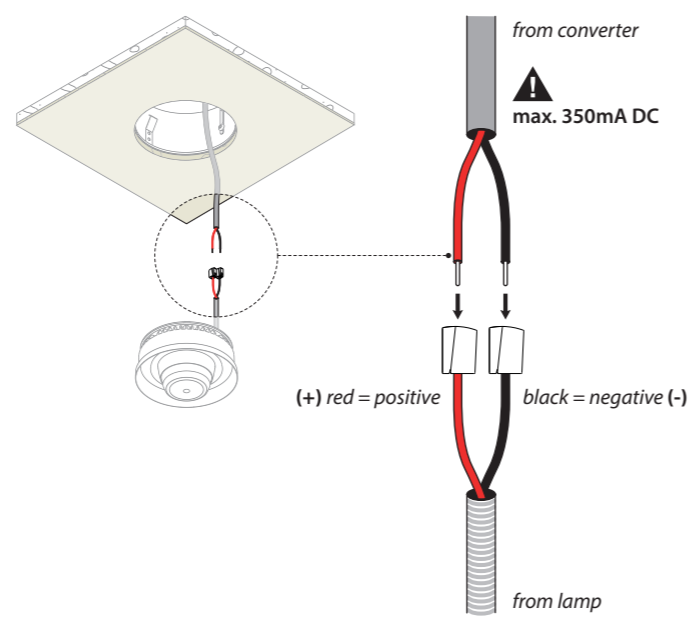
A ORBITAL TRIMLESS IN PLASTERBOARD (HOLLOW CEILINGS)



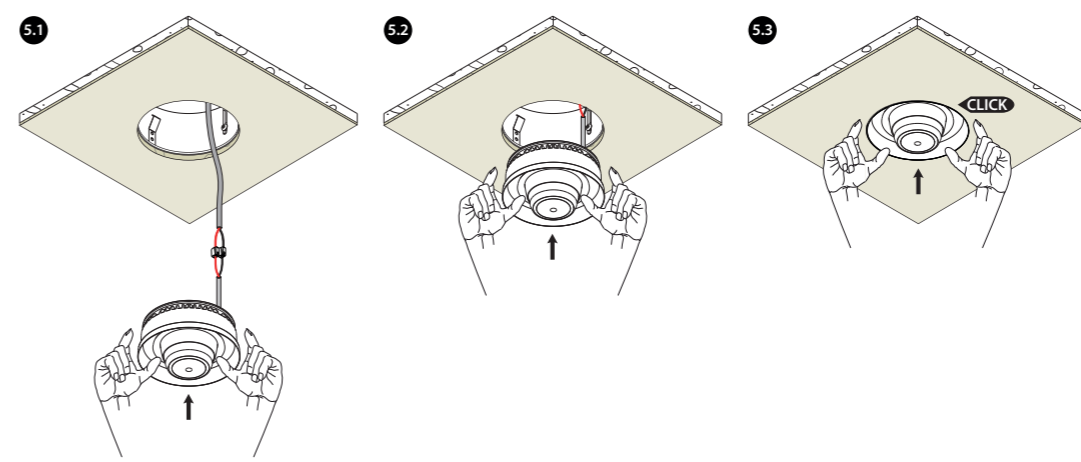
B ORBITAL TRIMLESS ON PLASTERBOARD (SOLID CEILINGS)



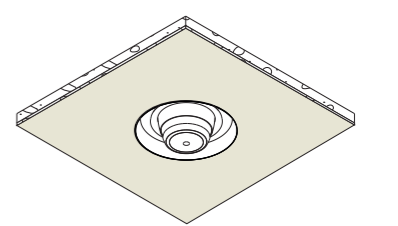
④ Make electrical connection



⑤ Push the luminaire gently into the frame



⑥ Switch on mains power supply



ALWAYS DISCONNECT MAINS POWER SUPPLY FROM CONVERTER BEFORE SWITCHING "ON" LED LUMINAIRES TO PREVENT HOT PLUGGING ISSUES!

AMBIENT TEMPERATURE IN CEILING: max. 40°C

NL Installatie- en onderhoudsrichtlijnen m.b.t. de fabrieksgarantie.
1. De plaatsing, de aansluiting en het uittesten van dit toestel dient steeds te gebeuren door een erkend elektro-installeator.
2. Dit toestel moet geïnstalleerd, verbonden en getest worden volgens de nationaal geldende reglementen op elektrische installaties.
3. De technische bijsluiter dient te worden beschouwd als een onderdeel van de algemene verkoopvoorwaarden van TAL nv.
4. De elektro-installeator is verantwoordelijk voor het gebruik van compatibele voorschakelapparatuur die voldoen aan de geldende IEC normen.
5. Reinig het toestel enkel met een zachte en lichtvochtige doek zonder reinigingsmiddel.
6. Schakel altijd eerst de elektriciteit uit alvorens het toestel te plaatsen en te installeren.

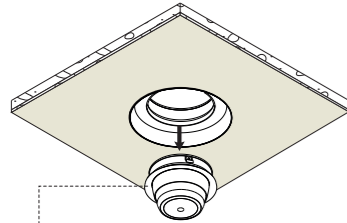
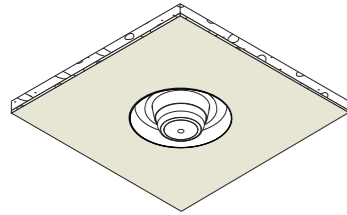
EN Installation and maintenance instructions regarding the manufacturer's warranty.
1. Installation, connection and testing of this product must always be performed by a certified electrician.
2. This product must be installed, connected and tested in accordance with the applicable national regulations for electrical installations.
3. The technical manual must be regarded as part of the general sales conditions of TAL nv.
4. The electrical installer is responsible for the use of compatible control gear that meets the applicable IEC standards.
5. Only clean the device with a soft and slightly moist cloth without detergent.
6. Always switch off the electricity supply before installing and connecting the product.

DE Installations- und Wartungsanweisungen bezüglich der Herstellergarantie.
1. Installation, Anschluß und Prüfung dieses Geräts soll nur von einem anerkannten Elektriker ausgeführt werden.
2. Dieses Gerät soll in Übereinstimmung mit den nationalen geltenden Vorschriften für Elektroinstallationen installiert, angeschlossen und geprüft werden.
3. Die technische Anleitung muß als Teil der allgemeinen Verkaufsbedingungen von TAL nv betrachtet werden.
4. Der Elektroinstallateur ist verantwortlich für die Verwendung von kompatiblen Betriebsgeräten, die den geltenden IEC-Normen entsprechen.
5. Reinigen Sie das Gerät nur mit einem weichen und leicht feuchten Tuch ohne Reinigungsmittel.
6. Schalten Sie den Strom immer aus, bevor Sie das Gerät installieren und anschließen.

FR Instructions d'installation et d'entretien concernant la garantie du fabricant.
1. L'installation, la connexion et les essais de cet appareil doivent toujours être effectués par un électricien reconnu.
2. Cet appareil doit être installé, raccordé et testé conformément aux réglementations nationales pour les installations électriques.
3. La notice technique doit être considérée comme faisant partie des conditions générales de vente de TAL SA.
4. L'installateur électrique est responsable de l'utilisation d'un équipement de contrôle compatible qui satisfait aux normes CEI applicables.
5. Nettoyez l'appareil uniquement avec un chiffon doux et légèrement humide sans détergent.
6. Éteignez toujours l'électricité avant d'installer et de connecter l'appareil.

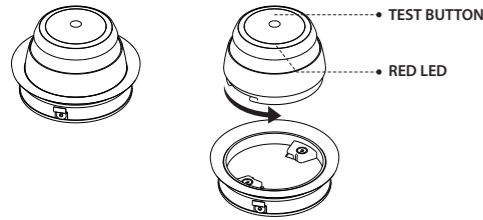
1. SETTING UP AND CONNECTING ALARMS

- Click smoke detector out of "Orbital" fixture:

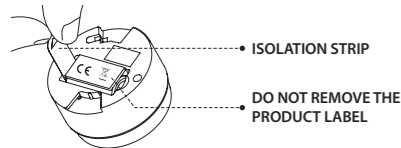


Always click smoke detector out of "Orbital" fixture by using this ring.

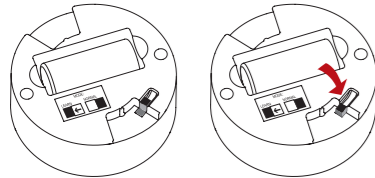
- Take smoke detector out of mounting ring by turning counterclockwise:



- Pull out the battery isolation strip:



- Slide the switch on the back of the alarm to put all alarms that need to be connected in the house into "Learn Mode":



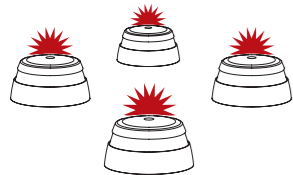
The red LED will light up to indicate that "Learn Mode" has been selected.

Do not take out battery during "Learn Mode", this will interrupt the learn process!

- Press and hold the test button at one alarm only until it beeps and the LED flashes. This alarm will become the master and will start sending out a specific house code to the other alarms:



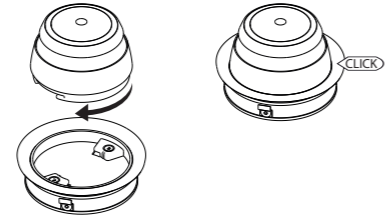
- As the other alarms receive the specific house code, they will also flash the LED light:



(when all alarms flash the red LED, they are connected and can be switched out of "Learn Mode" and installed)

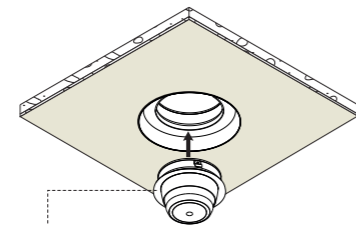
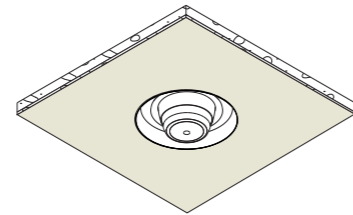
2. PLACING THE SMOKE DETECTOR IN THE "ORBITAL" FIXTURE

- Place the smoke detector in the mounting ring by turning clockwise:



If the battery is missing or inserted incorrectly, or if the switch is in "Learn Mode", the smoke alarm will not be able to click into the mounting ring.

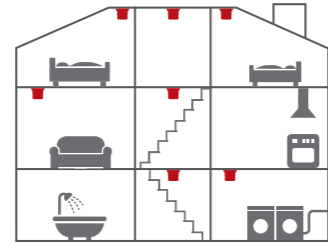
- Click smoke detector in "Orbital" fixture:



Always click smoke detector in "Orbital" fixture by using this ring.

3. THE BEST AREAS TO INSTALL SMOKE ALARMS

- Install an alarm between possible fire sources and bedrooms as a minimum.
- Install alarms on each floor of the house, in hallways and stairways.
- Alarms in each room such as bedrooms and livingrooms.



minimum (additional alarms increase the security)

4. AREAS WHERE NOT TO INSTALL SMOKE ALARMS

- In dusty rooms.
- At the top of a high pointed ceiling, in ceiling corners, and within 50cm of a wall.
- In rooms where the temperature goes outside +4° to 38°C.
- In rooms where the relative humidity is above 90%, not condensing.
- Areas where either dampness, gases or smoke could occur (kitchens, garages, laundries, too close to fireplaces)

Place the alarm where it is reachable in order to test the battery and for maintenance!

5. PLACEMENT

- For ceiling installation:

min. 50cm from wall

min. 1 smoke alarm per floor!

- For cateral/peak ceiling or wall installation:

min. 30cm & max. 50cm from ceiling

min. 50cm from peak

max. distance between smoke alarms: 10metres!

6. TEST FUNCTION

After installation, and at least once per quarter, test all of your alarms to ensure they are operating correctly and are within range of each other. It is recommended to check visually every week if the LED flashes correctly (every 48sec.).

TESTING THE ALARMS:

- Press the test button on any alarm for at least 10 seconds.
- This will send out a test signal from the alarm.
- All other connected alarms should receive the signal within a short time.
- The alarms will emit a short beep and the LED will flash every 8 seconds for 2 minutes.

"Test Function" also allows to send a depleted RF signal to ensure an optimal operation in normal conditions.

WHEN THE TEST SIGNAL IS OUT, THE ALARMS WILL RESPOND IN TWO WAYS:

1. A single beep every 8 seconds indicates that the alarms are connected and functioning.
2. Three short beeps every 8 seconds indicates a smoke sensor fault. The alarm should be cleaned by running the vacuum (on a low setting) around the smoke alarm chamber and tested again.

If required this indication can be stopped early on each alarm by a short press of the test button.

7. NORMAL MODE

In normal mode the LED will flash every 48 seconds to show correct operation.

8. ALARM MODE

When a concentration of smoke is detected, the smoke alarm will go into "Alarm Mode". It will sound the alarm signal and the LED will flash.

9. PAUSE/HUSH FUNCTION

If the smoke alarms are set into a false alarm by cooking, fireplace, etc. they can be paused for 100 minutes by pressing the test button on the originating smoke alarm only (indicated by the flashing LED).

The reason of this is that it is necessary to locate the source of the alarm before using the hush function. This is to make sure that it is not a life threatening situation.

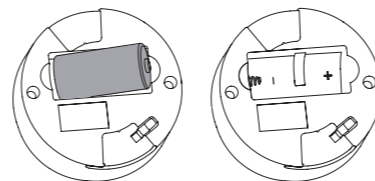
10. LOW BATTERY SIGNAL

Your product has a 5Y battery life. When the battery is starting its end of life, a short beep will sound out every 48 seconds for 30 days.

The alarm affected by the low battery will only beep, no other connected alarms will sound.

It is safe to change batteries in the alarms without going through the learn process again, they will not forget the codes during the battery change process.

11. BATTERY REPLACEMENT



Replace the battery respecting the polarities!

Risk of explosion if the batteries are replaced by an incorrect type!

Always test the alarm after replacing the battery!

12. MAINTENANCE & TROUBLE SHOOTING

- The smoke alarm should be vacuum cleaned once per quarter, to remove dust particles, and it can be wiped with a damp cloth.
- High humidity condensing can be resolved by drying the smoke alarm.
- If the smoke alarm does not work when the test button is pushed, the probable cause is a faulty battery. Check if the battery is worn out and replace it.

Do not open the alarm!

13. OTHER INFORMATION

- Do not paint the alarm.
- Note the local country regulations regarding installation.
- Disposal: For battery and product, please dispose properly at the end of life. This is electronic waste which should be recycled.

TECHNICAL INFORMATION

- The maximum number of alarms that can be interlinked within a house groupe are 32 (interlinked by RF: 868MHz).
- The distance between interlinked alarms depends on the house layout and they should always be tested after installation.
- It is not advised to get more than 10m distance between two smoke alarms.
- The Alarm is powered by a replaceable 3V CR123A lithium battery.
- Correct operation of the smoke alarm device is ensured by use of one of the following batteries: DURACELL, PANASONIC or HUIDERUI.
- In normal situations, minimum battery life is 5 years, but severe RF interferences may affect battery life of your device.
- The smoke alarm complies to standards: EN14604:2005 + AC:2008, EN300-220.

THE SMOKE ALARM IS DESIGNED FOR PRIVATE HOMES, CAMPING TRAILERS, MOBILE HOMES AND CARAVANS - IT IS NOT RECOMMENDED FOR BOATS!

PLEASE READ THE USER GUIDE CAREFULLY BEFORE INSTALLATION AND RETAIN FOR FUTURE USE!